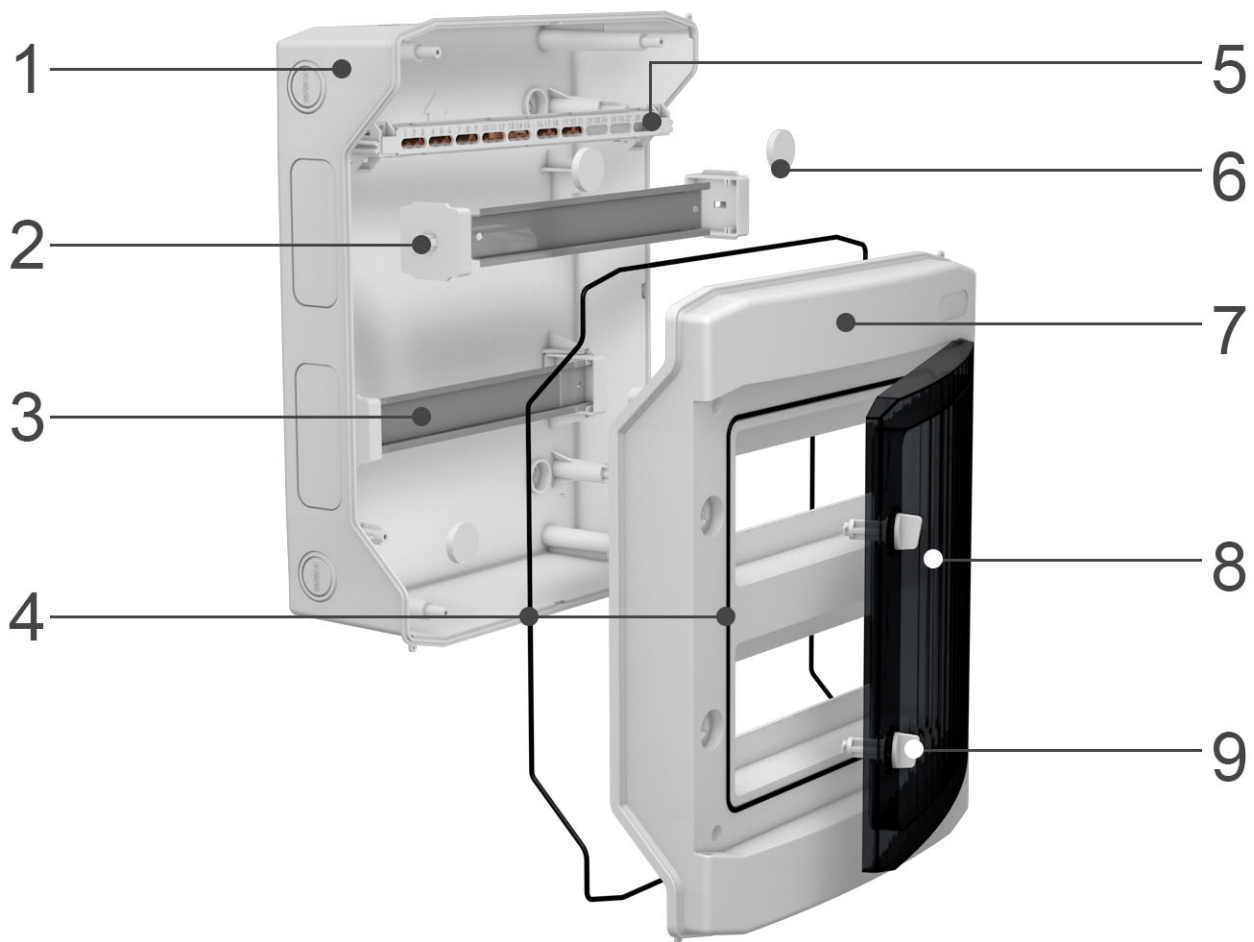


# Enclosures IP65 surface mounting

Surface mounting enclosures series D is intended for indoor and outdoor application. Produced by Acrylonitrile Styrene acrylate (ASA), which is 100% UV stable and weather resistant. ASA is also used in the automotive industry for all plastic parts exposed to UV sunlight. Series D is suitable for use in places where we need protection from rain, moisture, water, dust and in areas where condensed moisture results from the temperature difference: Garages, swimming pools, Industrial plants, photovoltaic systems, etc.



- 1 Base
- 2 Adjustable DIN rail holder
- 3 DIN rail
- 4 IP65 protection gasket
- 5 Isolated terminal
- 6 IP65 protection caps
- 7 Front mask
- 8 Door
- 9 Standard Lock

Base Material : ASA , color : RAL 7035  
Glow wire test: 650°C  
Door material: PC, color : transparent  
Terminal holder: self-extinguishing material  
Glow wire test : 960°C  
Temperature: -25°C / +60°C  
Nominal voltage: AC 400V / DC 1000V  
According to standard: IEC 60670 / IEC 60228  
UV stable: YES  
Halogen free: YES



## 6E01

Type:	Dimension:	Number of modules:	No. of PE/N terminals:	Pde [W]
<b>IP 65</b>  <b>In 63A</b>	<b>201 x 128 x 120</b>	<b>4</b>	<b>2 x 4</b>	<b>10</b>



## 6E00

Type:	Dimension:	Number of modules:	No. of PE/N terminals:	Pde [W]
<b>IP 65</b>  <b>In 63A</b>	<b>259 x 319 x 144</b>	<b>12</b>	<b>2 x 10</b>	<b>16</b>